

Pressure Gauge syphons

SMS or DIN standard

carbon steel or stainless steel

E 09.03.01

Ed.19.01

Pressure Gauge syphons Trumpet form C

According to SMS 1648 (G3/8") or DIN 16282 (G1/2")

Inlet with fixed male thread with spigot

Outlet with LH/RH union nut to fit pressure gauge or valve

Design with 1/2"NPT has outlet with fixed female nut

Type	Material	Connection	PN	Code
8040	steel SS 1435	G3/8"	64	80400100
8040	steel 1.0345	G1/2"	160	80400200
8140	stainless steel SS 2348	G3/8"	100	81400100
8140	stainless steel 1.4571	G1/2"	160	81400200
8140	stainless steel 1.4571	1/2"NPT	160	81400300



Pressure Gauge syphons U-form A

According to SMS 1648 (G3/8") or DIN 16282 (G1/2")

Inlet with fixed male thread with spigot

Outlet with LH/RH union nut to fit pressure gauge or valve

Design with 1/2"NPT has outlet with fixed female nut

Type	Material	Connection	PN	Code
8050	steel SS 1435	G3/8"	64	80500100
8050	steel 1.0345	G1/2"	160	80500200
8150	stainless steel SS 2348	G3/8"	100	81500100
8150	stainless steel 1.4571	G1/2"	160	81500200
8150	stainless steel 1.4571	1/2"NPT	160	81500300



Pressure Gauge with welding connection

According to DIN 16282

Inlet with welding connection

Outlet with LH/RH union nut to fit pressure gauge or valve

Design with 1/2"NPT has outlet with fixed female nut

Type	Material	Connection	Model	Code
8043	steel 1.0345	G1/2"	trumpet	80430200
8043	steel 1.0345	1/2"NPT	trumpet	80430300
8053	steel 1.0345	G1/2"	U-form	80530200
8053	steel 1.0345	1/2"NPT	U-form	80530300
8143	stainless steel 1.4571	G1/2"	trumpet	81430200 *
8143	stainless steel 1.4571	1/2"NPT	trumpet	81430300
8153	stainless steel 1.4571	G1/2"	U-form	81530200 *



* Including material certificate EN 10204 3.1

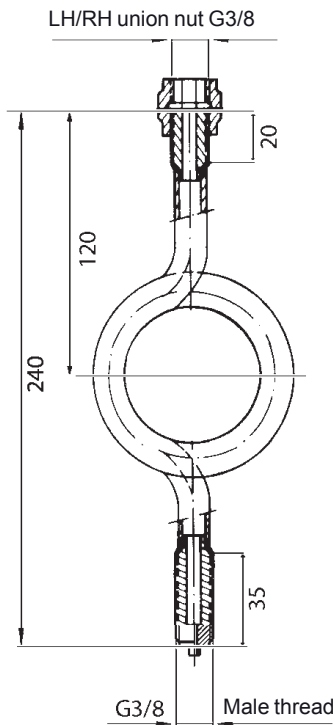
Pressure Gauge syphons

SMS or DIN standard

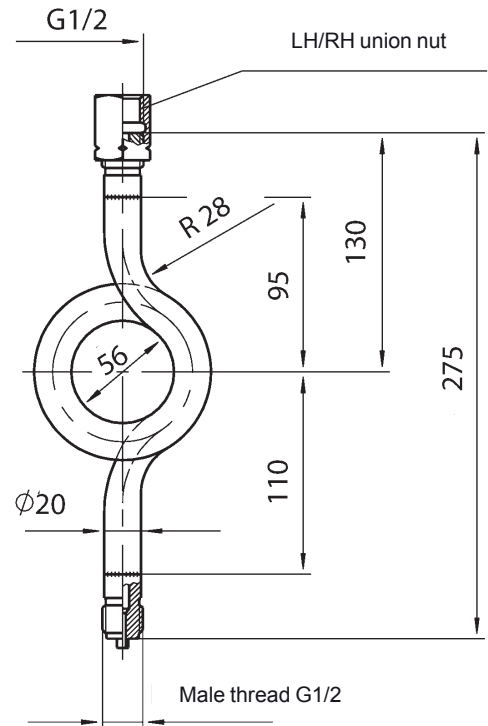
carbon steel or stainless steel

E 09.03.01

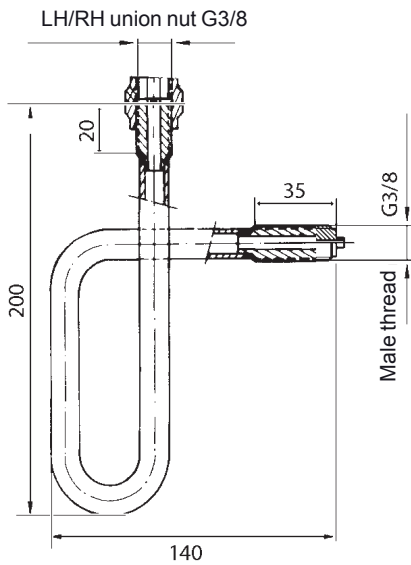
Trumpet form C G3/8



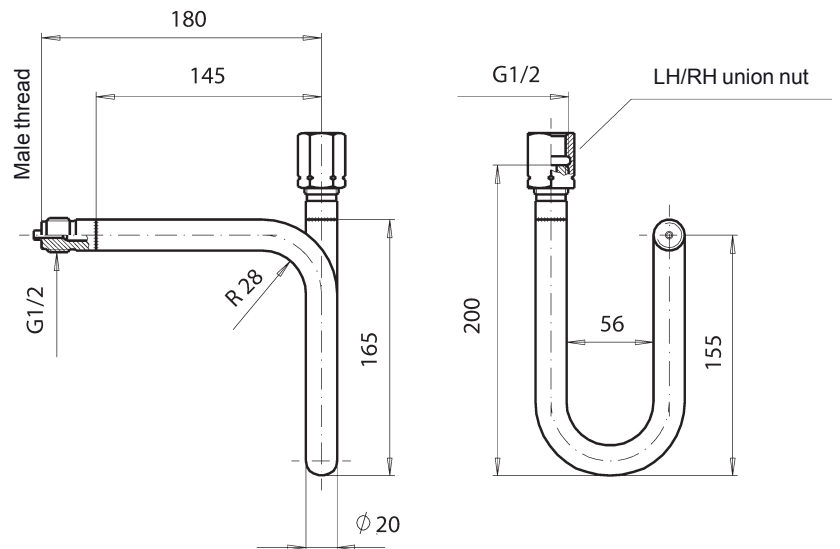
Trumpet form C G1/2



U-form A G3/8



U-form A G1/2



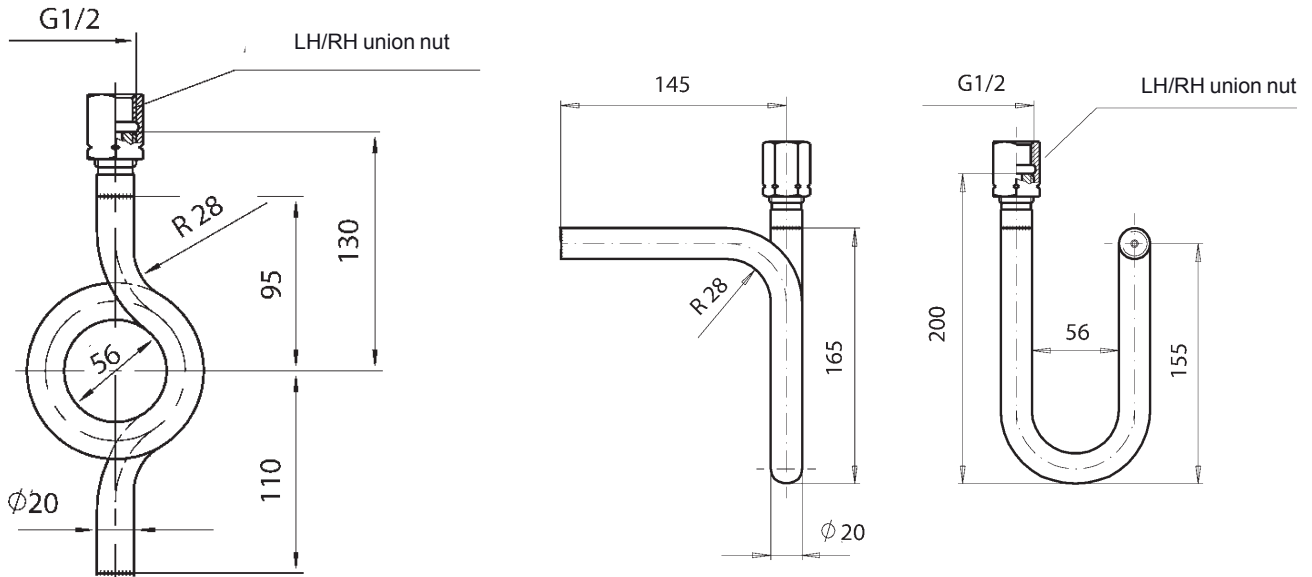
Pressure Gauge syphons

SMS or DIN standard

carbon steel or stainless steel

E 09.03.01

Welding connection



Pressure rate and temperature

G3/8 steel SS 1435 - PN 64		
Pressure	64 bar	55 bar
Temp	100°C	185°C

G3/8 SS 2348 - PN 100		
Pressure	100 bar	30 bar
Temp	120°C	400°C

G1/2 stell 1.0345 - PN 160		
Pressure	160 bar	104 bar
Temp	120°C	400°C

G1/2 and 1/2"NPT 1.4571 - PN 160		
Pressure	160 bar	130 bar
Temp	120°C	400°C